

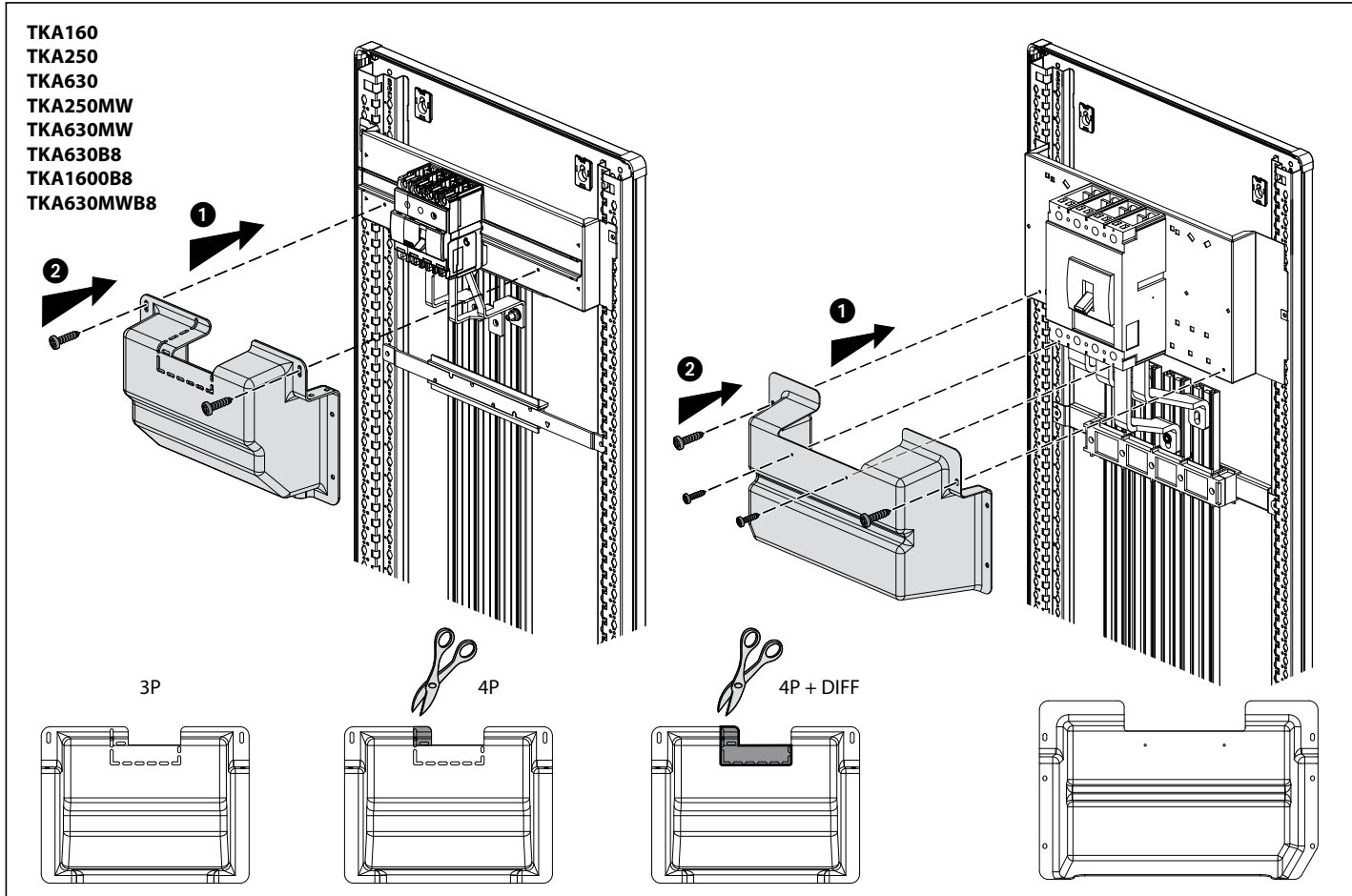
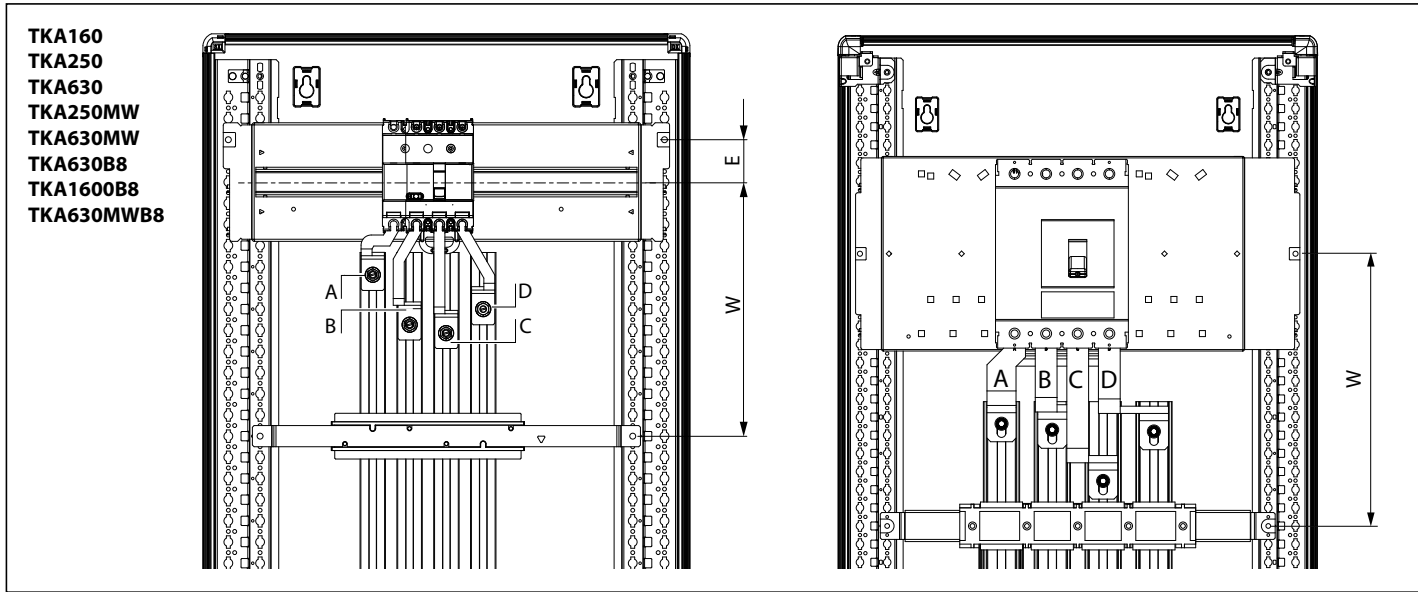
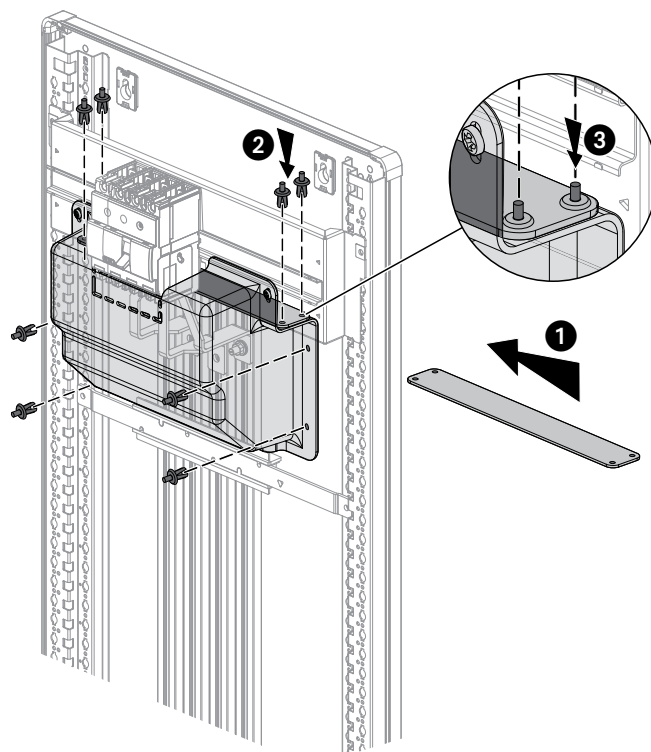


	E	W		M8
	mm	mm		Nm
TKA160	50	300	x 4	20
TKA250	50	300	x 4	20
TKA630	50	275	x 4	20
TKA250MW	50	250	x 4	20
TKA630MW	50	275	x 4	20

	W		M8
	mm		Nm
TKA630B8	375	x 4	20
TKA1600B8	425	x 4	20
TKA630MWB8	375	x 4	20



TKA160
TKA250
TKA630
TKA250MW
TKA630MW



TKA630B8
TKA1600B8
TKA630MWB8

